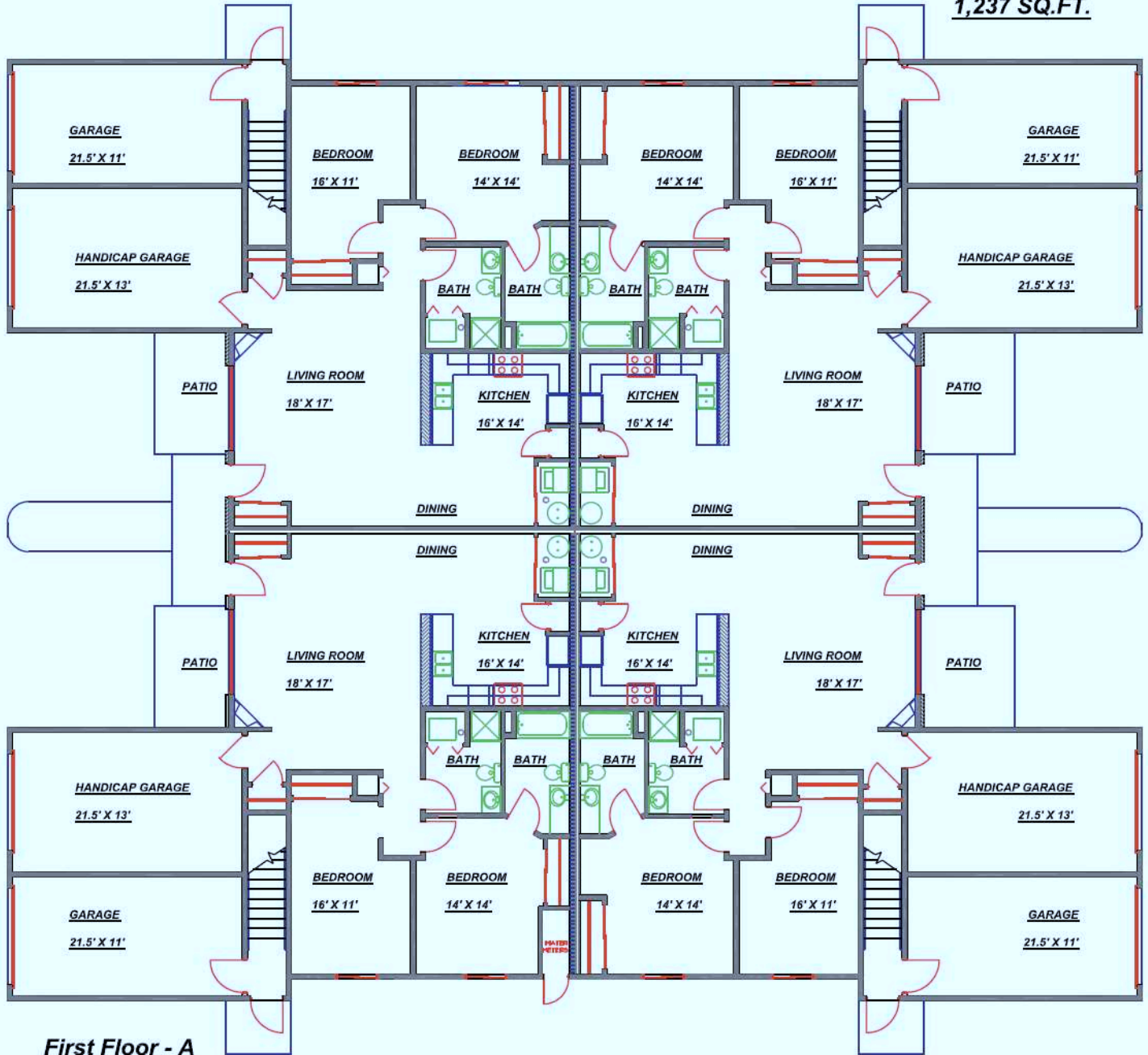


Stony Ridge Condominiums

SISTER BAY, DOOR COUNTY WISCONSIN

First Floor - B
1,237 SQ.FT.



First Floor - A
1,237 SQ.FT.



Creating neighborhoods you can truly call home...

Landmark Real Estate and Development, 320 Main St., Suite 300, De Pere, WI 54115

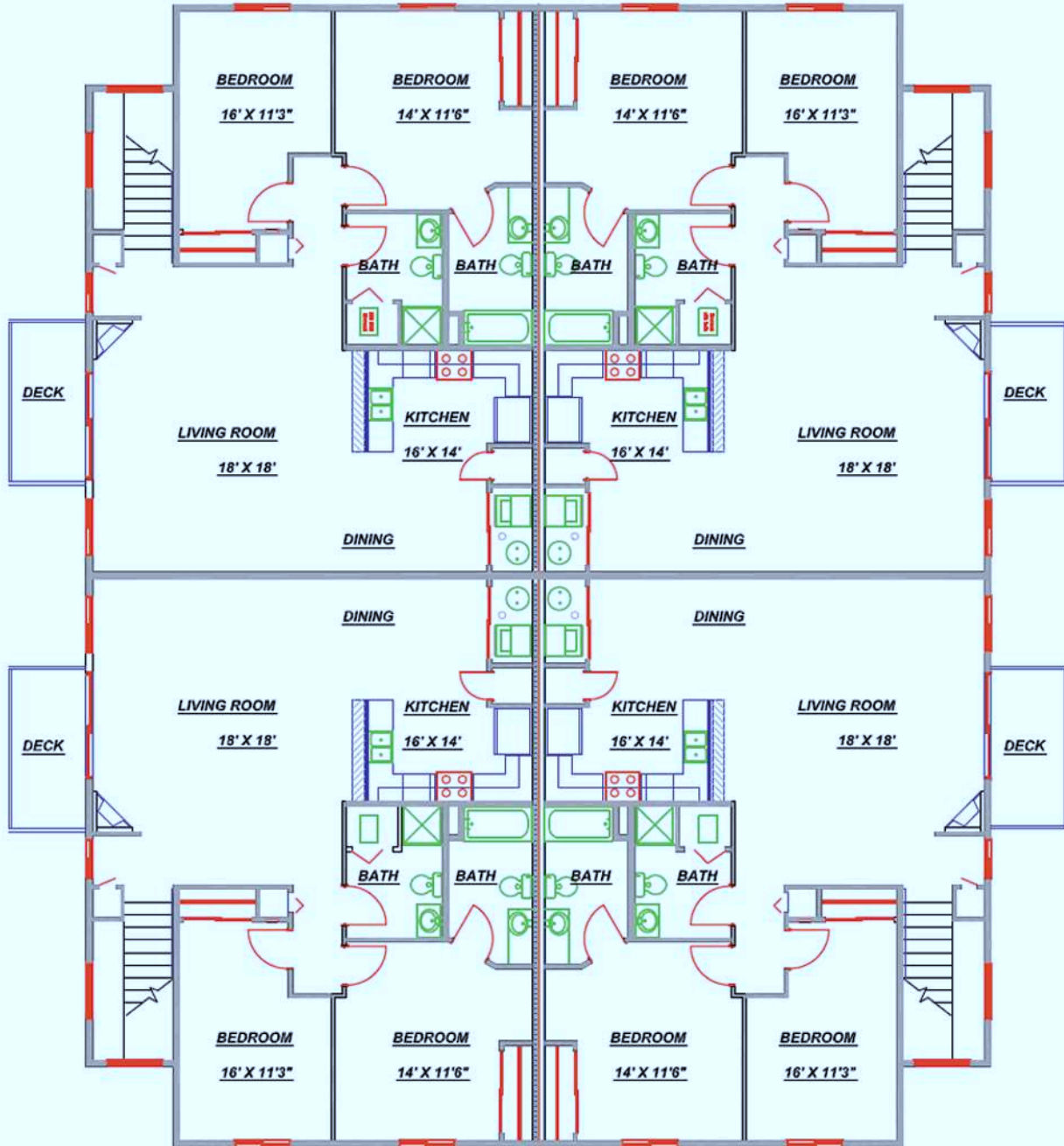
Phone 920-337-9566 Fax 920-337-9568

www.LandmarkNeighborhoods.com www.MyCoachHome.com

Stony Ridge Condominiums

SISTER BAY, DOOR COUNTY WISCONSIN

Second Floor - B
1,351 SQ.FT.



Second Floor - A
1,351 SQ.FT.



Creating neighborhoods you can truly call home...

Landmark Real Estate and Development, 320 Main St., Suite 300, De Pere, WI 54115

Phone 920-337-9566 Fax 920-337-9568

www.LandmarkNeighborhoods.com www.MyCoachHome.com